

# OPTONICA

■ Single Solar Panel Cleaning Robot  
2384mm 150W 24V 10Ah



► Product Details



Simple appearance, single machine light weight design (30kg).

Self-powered photovoltaic panel

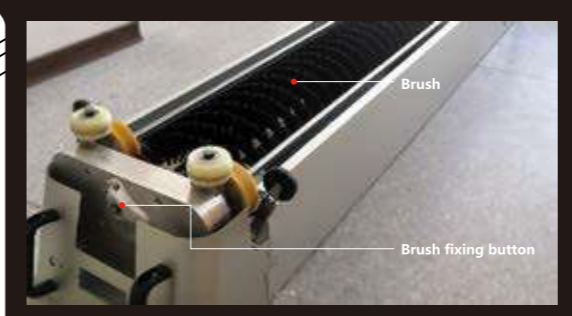
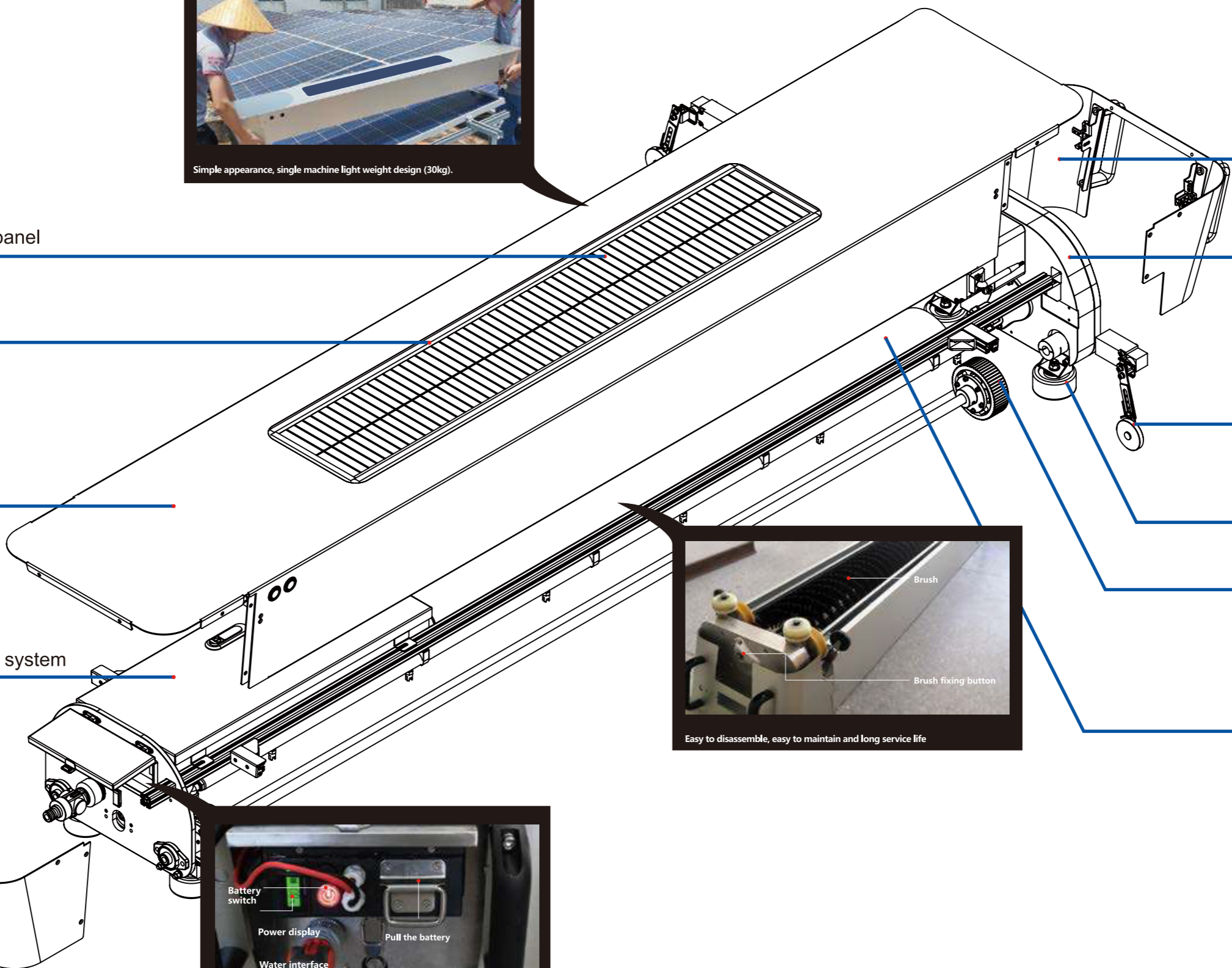
Raindrop sensor

Top outer protective cover

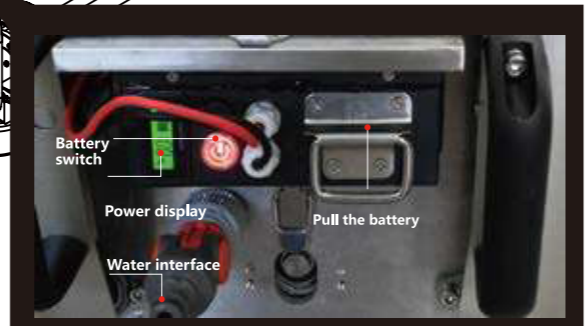
Intelligent electronic control system

Bottom outer protective cover

Carry Handle



Easy to disassemble, easy to maintain and long service life



Battery easy to disassemble, the robot will start automatically when rain falls

# OPTONICA

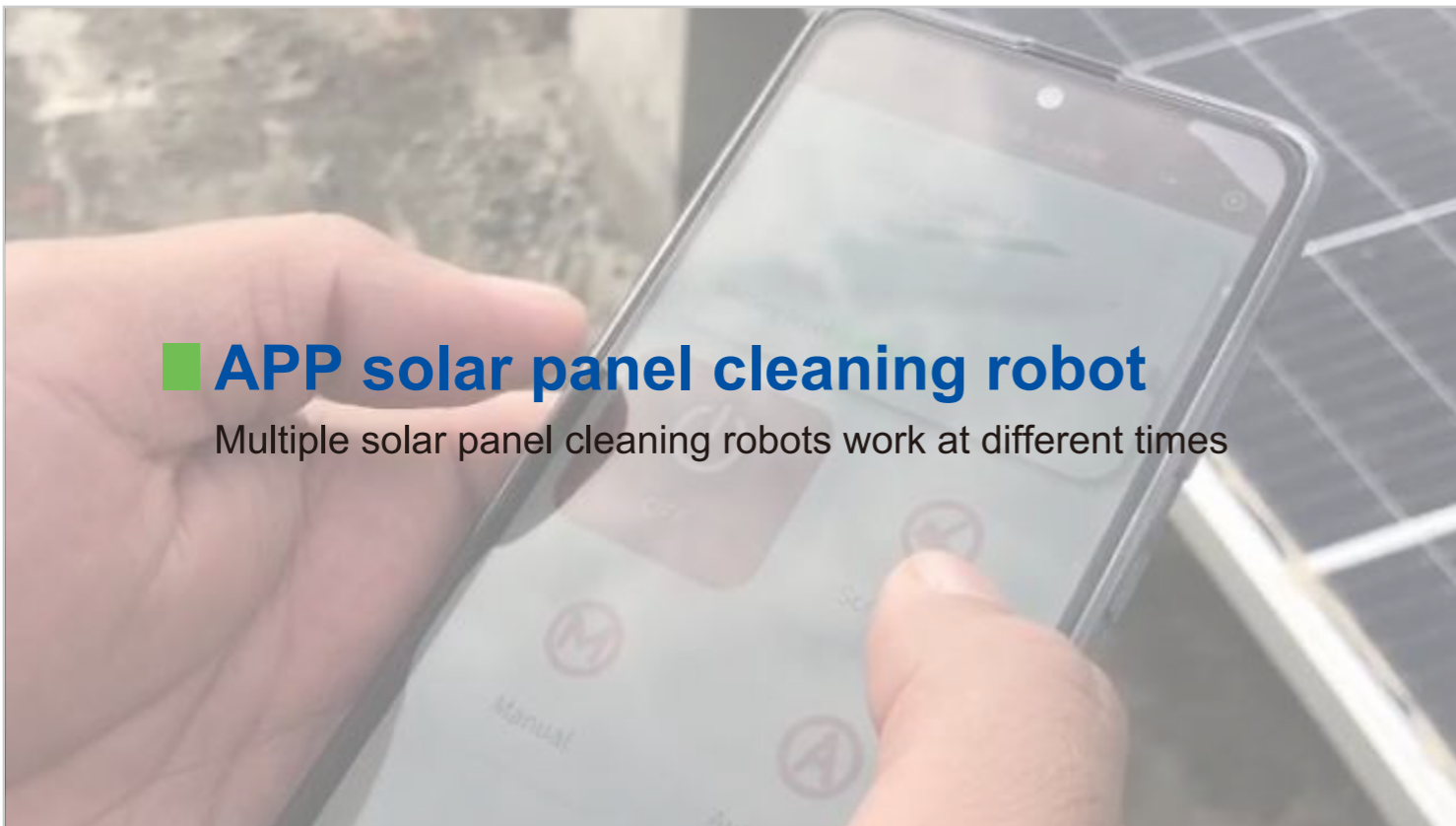
## APP Platform & Remote Controller



APP platform: mobile phone operation, fully automatic, more convenient, no need to bring a remote control, clean solar panels.



Start at any time, stop at any time, scrub repeatedly, where there is no network, you can use the remote control to start and operate the solar panel cleaning robot



## APP solar panel cleaning robot

Multiple solar panel cleaning robots work at different times

## Technical Parameters

Product specifications	
Item	Single solar panel cleaning robot 2384mm 150W 24V 10Ah
SKU	9658
N.Weight/KG	40
Packing list	
Cleaning Robot	
Charger for Remote Controller	
Remote Controller	
Brochure(EN)	
Running Switch	
Charger for Battery	
Lithium Battery	
General Parameters	
PV Module Length Range (mm)	2384MM Single PV Panel
Obstacle Crossing Ability (mm)	20
Traveling Distance(m)	one-way travel distance 2280~3600
Traveling Speed(m/min)	15-20
Generator Power(W)	150W
Width of Machine(mm)	365
Height of Machine(mm)	280
Water Used Per Hour	330L/H(0.3mpa)
Working Time(Hours)	4- 5 Hours
Solar Panel(W)	27W
Battery Capacity(Ah)	24V/10Ah
Brush Life(Years)	2-3 Years
Applicable Temperature (°C)	-10°C (unfrozen)~ 50°C
Cleaning Mode	Dry/Watering Cleaning
Cleaning Way	One Time/Repeated Time/Positioning/Schedule
Other Functions	Speed Adjust/Direction Adjust
Optional Configuration	Packing Bay Frame
	WiFi Module/4G Module
Product Features	
Automatic adjustment	Automatic correction and adjustment during running, to prevent machine deviation and jamming.
Stronger obstacle crossing ability	Include slope, step and misalignment.
Excellent running property	Work with lithium battery and brushless motor, more durable.
High efficient cleaning	360° rolling brush,one day can clean 1.2MWp.
Auto start and stop	Full automatic remote control of running and back to docking station.
Integrated dry and watering clean	To meet different cleaning requirement of different solar power plants.
Competitive Cost	Quick money return by increasing the electricity production.

