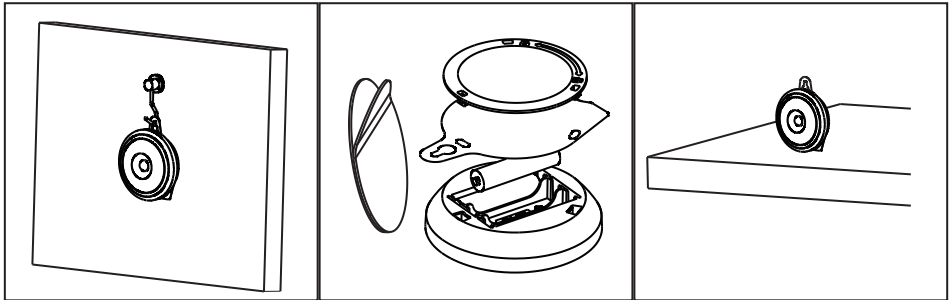


OPTONICA

CABINET LIGHT - USER MANUAL

Installation way: Hanging type / Paste type/ Stand type.



Hanging type

Paste type

Stand type

Product application: cabinet, aisle, cupboard, wardrobe, corridor, washroom, bathroom, kitchen, door / entryway, bedroom bedstand etc.



1. In the brightness environment(day time), whether or not into the sensor area, will not light up.
2. When the person left the sensor area, the light will automatically turn off after 30 seconds.
3. If people have been active in the sensor area, the lamp will light on .
4. In very cold or very hot weather, the sensor function may appear temporary failure, such as the sensor distance becomes shorter, lower sensitivity
5. Keep the lamp far away from high temperature or wet place for using or storing.
6. It is recommended to use three AAA batteries or high-capacity rechargeable batteries, take out the batteries if you don't use the lamp for a long time, replace batteries immediately if battery is use up.