

4 Channel Constant Voltage DMX512 & RDM Decoder

Model No.: D4-L

RDM/Stand-alone function/Two PWM frequency/Linear or logarithmic dimming/Numeric display

Features

- Comply with the DMX512 standard protocols.
- Digital numeric display, set DMX decode start address by buttons.
- RDM function can realize intercommunication between DMX master and decoder. For example, DMX decoder address can be set by DMX master console.
- 1/2/4 DMX channel output selectable.
- PWM frequency 2000/500Hz selectable.
- Logarithmic or linear dimming curve selectable.
- Stand-alone RGB/RGBW mode and 4 channel dimmer mode selectable, which be controlled by buttons with built-in programs, instead of DMX signal.



CE RoHS EMC LVD

Technical Parameters

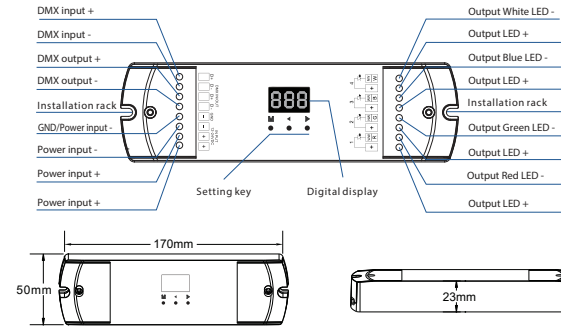
Input and Output	
Input voltage	12-24VDC
Input current	20.5A
Output voltage	4 x (12-24)VDC
Output current	4CH,5A/CH
Output power	4 x (60-120)W
Output type	Constant voltage

Environment	
Operation temperature	Ta:-30 °C~+55 °C
Case temperature(Max.)	Tc:+85 °C
IP rating	IP20

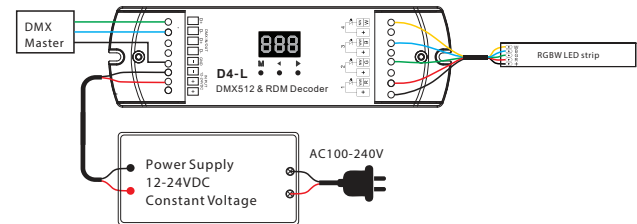
Safety and EMC	
EMC standard (EMC)	EN55032:2015, EN61000-3-2:2014, EN61000-3-2:2013, EN55024:2010/A1:2015
Safety standard(LVD)	EN 61347-1:2015 EN 61347-2-11:2015
Certification	CE,EMC,LVD

Warranty and Protection	
Warranty	5 years
Protection	Reverse Polarity

Mechanical Structures and Installations



Wiring Diagram



Operation

System parameter setting

- Long press M and ◀ key in the same time for 2s, prepare for setup system parameter: decode mode, output PWM frequency, output brightness curve, automatic blank screen. short press M key to switch four item.
- Decode mode: short press ◀ or ▶ key to switch 1/2/4 channel decode mode ("d-1", "d-2" or "d-4"). When set as 1 channel decode, the decoder occupy only 1 DMX address, and four channel output the same brightness of this DMX address.
- Output PWM frequency: short press ◀ or ▶ key to switch 500Hz ("F-L") or 2KHz ("F-H"). Higher PWM frequency, will cause lower output current, higher power noise, but more suitable for camera(No flickers for video).
- Output brightness curveshort press ◀ or ▶ key to switch linear curve("C-L") or logarithmic curve("C-E").
- Automatic blank screen: short press ◀ or ▶ key to switch enable ("boN") or disable("boF") automatic blank screen.
- Long press M key for 2s or timeout 10s, quit system parameter setting.

DMX mode

- Short press M key, when display 001~999, enter DMX mode.
 - Press ◀ or ▶ key to change DMX decode start address(001 ~ 999), long press for fast adjustment.
 - If there is a DMX signal input, will enter DMX mode automatically.
 - DMX Dimming: Each D4-L DMX decoder occupy 4 DMX address when connecting the DMX console.
- For example, the defaulted start address is 1, their corresponding relationship in the form:

DMX Console	DMX Decoder Output
CH1 0-255	CH1 PWM 0-100% (LED R)
CH2 0-255	CH2 PWM 0-100% (LED G)
CH3 0-255	CH3 PWM 0-100% (LED B)
CH4 0-255	CH4 PWM 0-100% (LED W)



DMX mode
(001 ~ 999)

Stand-alone RGB/RGBW mode

- Enter stand-alone RGB/RGBW mode only when DMX signal is disconnected or lost.
- Short press M key, when display P01 ~ P30, enter stand-alone RGB/RGBW mode .
- Press ◀ or ▶ key to change dynamic mode number(P01~P30).
- Each mode can adjust speed and brightness

Long press M key for 2s , prepare for setup mode speed, brightness, W channel brightness
Short press M key to switch three item.
Press ◀ or ▶ key to setup value of each item.
Mode speed: 1-10 level speed(S-1, S-9, S-F).
Mode brightness 1-10 level brightness(b-1, b-9, b-F).
W channel brightness: 0-255 level brightness(400-4FF).
Long press M key for 2s, or timeout 10s, quit setting.



Stand-alone RGB/RGBW mode
(P01 ~ P30)



Speed
(8 level)



Brightness
(10 level, 100%)

Stand-alone dimmer mode

- Enter stand-alone dimmer mode only when DMX signal is disconnected or lost.
 - Short press M key, when display L-1 ~ L-8, enter stand-alone dimmer mode
 - Press ◀ or ▶ key to change dimmer mode number(L1 ~ L-8).
 - Each dimmer mode can adjust each channel brightness independently
- Long press M key for 2s , prepare for setup four channel brightness
Short press M key to switch four channel(100~1FF, 200~2FF , 300~3FF , 400~4FF).
Press ◀ or ▶ key to setup brightness value of each channel.
Long press M key for 2s, or timeout 10s, quit setting.



Stand-alone dimmer mode
(L-1 ~ L-8)

Restore factory default parameter

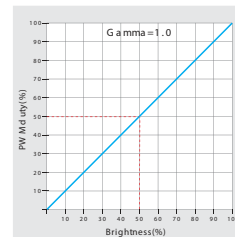
- Long press ◀ and ▶ key for 2s, restore factory default parameter display "RES".
- Factory default parameter: DMX decode start address is 1, four channel decode, high PWM frequency output, logarithmic brightness curve, RGB mode number is 1, dimmer mode number is 1, disable automatic blank screen.

RGB change mode list

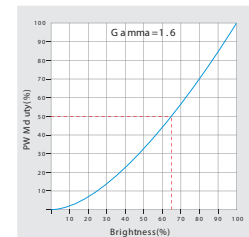
No.	Name	No.	Name	No.	Name
P01	Static red	P11	Green strobe	P21	Red yellow smooth
P02	Static green	P12	Blue strobe	P22	Green cyan smooth
P03	Static blue	P13	White strobe	P23	Blue purple smooth
P04	Static yellow	P14	RGB strobe	P24	Blue white smooth
P05	Static cyan	P15	7 color strobe	P25	RGB+W smooth
P06	Static purple	P16	Red fade in and out	P26	RGBW smooth
P07	Static white	P17	Green fade in and out	P27	RGBY smooth
P08	RGB jump	P18	Blue fade in and out	P28	Yellow cyan purple smooth
P09	7 color jump	P19	White fade in and out	P29	RGB smooth
P10	Red strobe	P20	RGBW fade in and out	P30	6 color smooth

Dimming curve setting

Linear dimming curve



Logarithmic dimming curve



Malfunctions analysis & troubleshooting

Malfunctions	Causes	Troubleshooting
No light	1. No power. 2. Wrong connection or insecure.	1. Check the power. 2. Check the connection.
Wrong color	1. Wrong connection of R/G/B/W wires. 2. DMX decode address error .	1. Reconnect R/G/B/W wires. 2. Set correct decode address.
Uneven intensity between front and rear with voltage drop	1. Output cable is too long. 2. Wire diameter is too small. 3. Overload beyond power supply capability . 4. Overload beyond controller capability .	1. Reduce cable or loop supply . 2. Change wider wire. 3. Replace higher power supply . 4. Add power repeater .